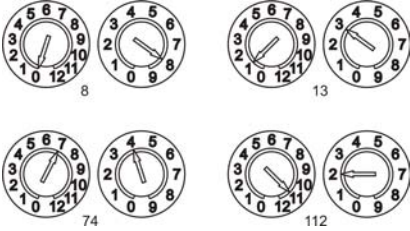


ADDRESS DIALS

Figure 1. Address dials



Setting the address:

To set the address use a screwdriver to adjust the two rotary switches on the unit. Set the MS digit rotary switch (0 through 12) for the 10's and 100's digit and the LS digit rotary switch for the 0 through 9 digit. Do not set the address to either 0 or 129. This will not produce a response from the unit.

TECHNICAL DATA

At communication loop terminals:

Maximum operating voltage.....17Vdc - 39Vdc

For IO2014 and IO2034:

Maximum standby current.....< 420 μ A

Typical standby current.....< 350 μ A

For IO2031 and IO2032:

Maximum standby current.....< 350 μ A

Typical standby current.....< 300 μ A

Maximum line resistance.....< 100 Ω

End-of-line resistor.....150k Ω , 5%, 1/4 W

Table 1. Unit's input impedance and corresponding state:

Input loop impedance (150k Ω EOL Included)	State reported to panel
Open circuit - 555k Ω	Open (Open circuit)
243k Ω - 54k Ω	Passive (Contact open)
39k Ω - 11k Ω	Active (Contact closed)
5.6k Ω - Short circuit	Short (Short circuit)

Table 2. Inputs and outputs used for different products:

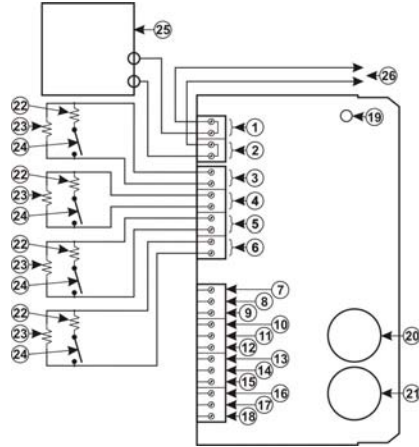
Product code	Inputs				Outputs			
	A	B	C	D	A	B	C	D
IO2014	√	√	√	√	X	X	X	X
IO2031	√	√	X	X	√	X	X	X
IO2032	√	√	X	X	√	√	X	X
IO2034	√	√	√	√	√	√	√	√

√ - Used

X - Not used

WIRING DIAGRAM

Figure 2. Wiring diagram



For Figure 2:

1. COM2 +, positive supply voltage input connection
2. COM1 -, negative supply voltage input connection
3. IN_A - Input A
4. IN_B - Input B
5. IN_C - Input C
6. IN_D - Input D
7. OUT_A - Output A, Normally closed (NC) connection
8. OUT_A - Output A, Common (COM) connection
9. OUT_A - Output A, Normally open (NO) connection
10. OUT_B - Output B, Normally closed (NC) connection
11. OUT_B - Output B, Common (COM) connection
12. OUT_B - Output B, Normally open (NO) connection
13. OUT_C - Output C, Normally closed (NC) connection
14. OUT_C - Output C, Common (COM) connection
15. OUT_C - Output C, Normally open (NO) connection
16. OUT_D - Output D, Normally closed (NC) connection
17. OUT_D - Output D, Common (COM) connection
18. OUT_D - Output D, Normally open (NO) connection
19. Yellow fault LED indicating open or short for any of the supervised inputs
20. Address switch MS Digit
21. Address switch LS Digit
22. Optional resistors, 33k Ω , 5%, 1/4W
23. End-of-line (EOL) resistors, 150k Ω , 5%, 1/4W
24. Supervised switch inputs
25. Listed compatible analog addressable fire alarm control panel
26. Analog addressable loop extension