

Cerberus®

Audible alarm devices

AGN24.6
AGT24.1
AGS24.5


-
- **For fire detection and extinguishing systems**
 - **Powerful alarm – recognizable as a danger signal even against a high background noise level**
 - **Various programmable types of tone and volume levels**
 - **For applications in inside rooms and in the open air**

Alarm device AGN24.6

Application For inside and outdoor applications, although under roof or canopy.

Design White ABS plastic housing.
Removable base for simple surface mounting.
Adapter base for cable entry with screwed cable gland.
28 different tones programmable.
Remote-controlled switchover to continuous tone for two-stage alarm.
Adjustable sound intensity.
Encapsulated electronics.
Line monitoring possible by changing the polarity at connector „1. Sound“.

Programming

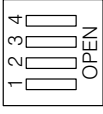
1. Sound		2. Sound		Code					Description		Typical current consumption		Typical volume level				
No.	Sound	No.	Sound	1	2	3	4	5			mA		12V	24V	12V	24V	
																	
1	Alternating 800Hz/970Hz at 2Hz	14		1	1	1	1	1	BS5839 Part 1 1988		8	16	96	103			
2	Sweeping 800Hz/970Hz at 7Hz	14		1	1	1	1	0	Fast sweep (LF) BS5839 Part 1 1988		8	16	93	100			
3	Sweeping 800Hz/970Hz at 1Hz	14		1	1	1	0	1	Medium sweep (LF) BS5839 Part 1 1988		8	16	93	100			
4	Continuous at 2850Hz	14		1	1	1	0	0			14	30	104	111			
5	Sweeping 2400Hz-2850Hz at 7Hz	4		1	1	0	1	1	Fast sweep		16	28	99	106			
6	Sweeping 2400Hz-2850Hz at 1Hz	4		1	1	0	1	0			15	28	99	106			
7	Slow whoop	14		1	1	0	0	1	Slow whoop		10	18	93	100			
8	Sweeping 1200Hz-500Hz at 1Hz	14		1	1	0	0	0	Din Tone		7	14	92	98			
9	Alternating 2400Hz/2850Hz at 2Hz	4		1	0	1	1	1			17	28	102	109			
10	Intermittent 970Hz at 1Hz	14		1	0	1	1	0	Back-up alarm (LF) Part 1 1988		7	10	92	100			
11	Alternating 800Hz/970Hz at 1Hz	14		1	0	1	0	1	BS5839 Part 1 1988		8	16	97	103			
12	Intermittent 2850Hz at 1Hz	4		1	0	1	0	0	Back-up alarm (HF)		12	22	103	110			
13	Intermittent 970Hz, 1/4s On/1s Off	14		1	0	0	1	1	BS5839 Part 1 1988		3	6	93	100			
14	Continuous at 970Hz	14		1	0	0	1	0	BS5839 Part 1 1988		9	18	99	105			
15	554Hz for 100ms, 440Hz for 400ms	14		1	0	0	0	1	French fire sound		5	10	88	94			
16	Intermittent 660Hz, 150ms On/150ms Off	16		1	0	0	0	0	Swedish alarm tone		4	7	87	92			
17	Intermittent 660Hz, 1,8s On/1,8s Off	17		0	1	1	1	1	Swedish alarm tone		5	10	89	95			
18	Intermittent 660Hz, 6,5s On/13s Off	18		0	1	1	1	0	Swedish alarm tone		6	12	89	95			
19	Continuous 660Hz	19		0	1	1	0	1	Swedish alarm tone		6	12	89	95			
20	Alternating 554Hz/440Hz at 1Hz	20		0	1	1	0	0	Swedish alarm tone		5	11	89	95			
21	Intermittent 660Hz at 1Hz	21		0	1	0	1	1	Swedish alarm tone		4	8	87	93			
22	Intermittent 2850Hz, 150ms On/100ms Off	14		0	1	0	1	0	Pelican crossing		11	20	102	109			
23	Sweeping 800Hz-970Hz at 50Hz	14		0	1	0	0	1	Low frequency buzz BS5839 Part 1 1988		8	16	92	98			
24	Sweeping 2400Hz-2850Hz at 50Hz	4		0	1	0	0	0	High frequency buzz		12	23	99	107			
25	Intermittent 970Hz, 500ms On/500ms Off	25		0	0	1	1	1	ISO 8201 Low frequency BS5839 Part 1 1988		7	12	97	103			
26	Intermittent 2850Hz, 500ms On/500ms Off	26		0	0	1	1	0	ISO 8201 High frequency		10	18	102	109			
27	Continuous at 4kHz	27		0	0	1	0	1			16	33	90	98			
28	Alternating 800Hz/970Hz at 2Hz	10		0	0	1	0	0	FP1063.1 - telecoms		8	15	96	103			

Alarm device AGT24.1

Application For small to medium size rooms with a low background noise level.

Design White ABS plastic housing for surface mounting.
Four different tones with two sound intensities.
Remote-controlled change of tone for two-stage alarm.
Encapsulated electronics.

Programming

Sound	Code	Volume level	Current consumption
			
	1 2 3 4	dB (A) 1m	mA
Continuous tone 510Hz	0 0 0 1	95	9
	0 0 0 0	86	3
Intermittent 510Hz at 1Hz Remote switchover 2 nd tone	1 0 0 1	92	9
	1 0 0 0	83	3
Alternating tone 510Hz/610Hz at 2Hz	0 1 0 0	86	3
	0 1 0 1	95	10
Whoop 800Hz/970Hz at 1Hz	1 1 0 0	90	5
	1 1 0 1	97	15

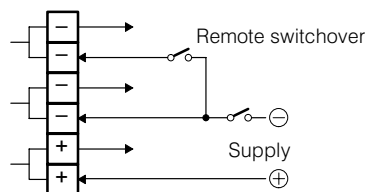
Mallory buzzer AGS24.5

Application For small dry rooms with a low background noise level.

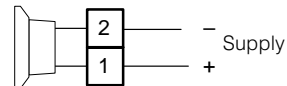
Design Buzzer with continuous tone.
For incorporation in equipment, panels, etc. (for front panels with a maximum thickness of 5mm, a drill hole of 29.5mm Ø is adequate).

Connection

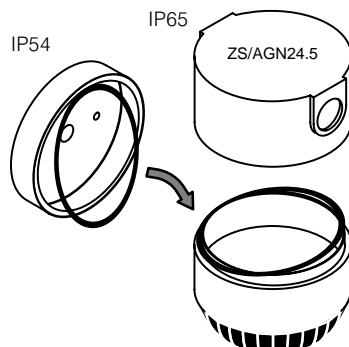
AGT24.1 / AGN24.6



AGS24.5

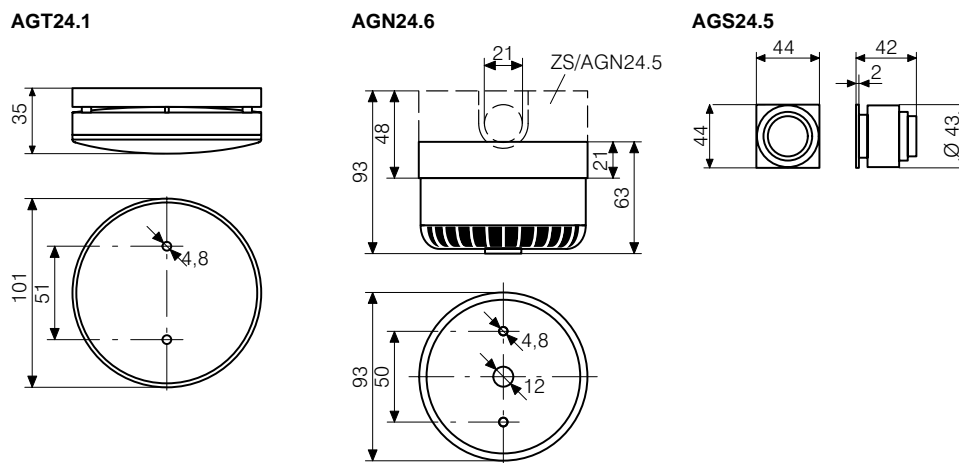


Changing bases (AGN24.6)



Remove rubber ring from the base and insert between housing and adapter base.

Dimensions



Technical data

Type	AGT24.1	AGN24.6	AGS24.5
Manufacturer's designation	SQM/W/C	ROLP/W/S	Mallory
Operating voltage	9 ... 30Vdc	9 ... 30Vdc	18 ... 36Vdc
Sound level for continuous tone (No. 14) at 1m	86/95dB(A)	105dB(A)	80dB(A)
Current consumption	3/9mA	18mA	12mA
Frequency range	510-970Hz	500-4000Hz	2900Hz
Tones	4	28	1
Sound intensity regulation	2	Trimmer	-
Cross-sectional area of connection wires	0.28 ... 1.5mm ²	0.28 ... 1.5mm ²	0.28 ... 1.5mm ²
Ambient conditions:			
- Operating temperature	-25 ... +85°C	-25 ... +80°C	-20 ... +40°C
- Permissible humidity (class DIN 40040)	D (<100%)	D (<100%)	F (<95%)
- EN60529 / IEC529 protection category	IP42	IP54	IP20
- EN60529 / IEC529 protection category with adapter base	-	IP65	-
Protection against reversed polarity	yes	yes	yes
Automatic synchronization	yes	yes	no
Housing	ABS white	ABS white	black
Approvals	-	LPCB / VdS	-

Details for ordering

Type	Part no	Designation	Weight
AGT24.1	537104	Alarm device	0.160kg
AGN24.6	537117	Alarm device	0.240kg
ZS/AGN24.5	424262	Adapter base for AGN24.6	0.060kg
AGS24.5	278502	Mallory buzzer	0.065kg